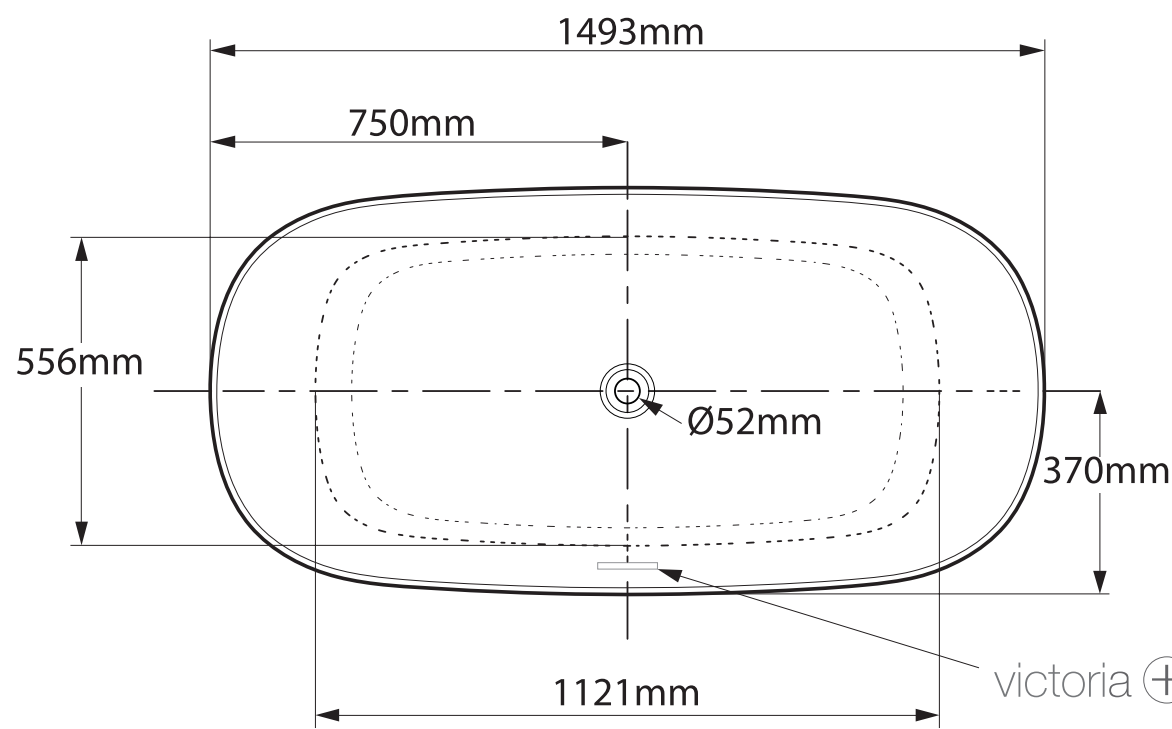
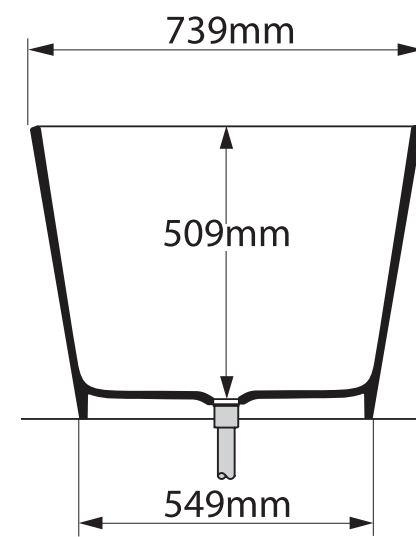
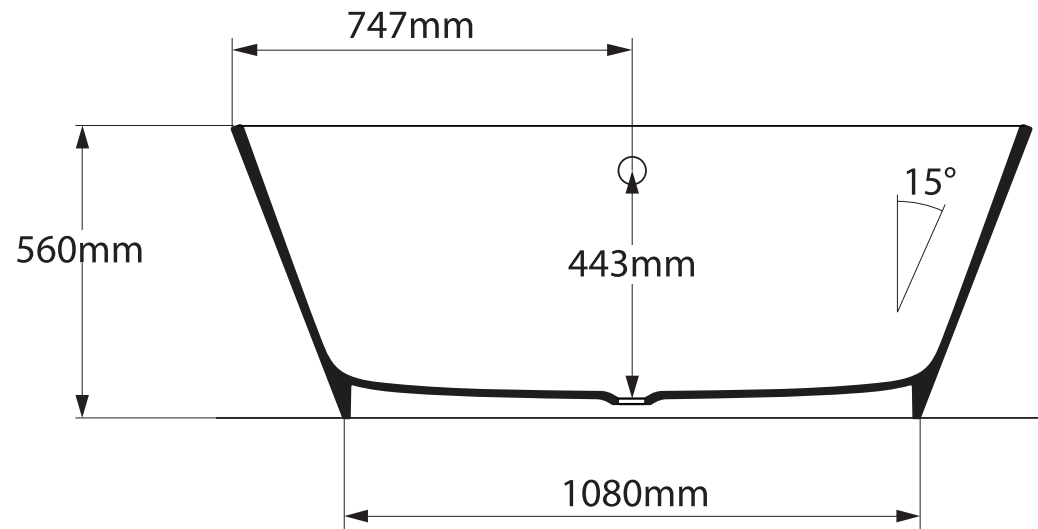


# Banheira Vetralla



victoria ⊕ albert